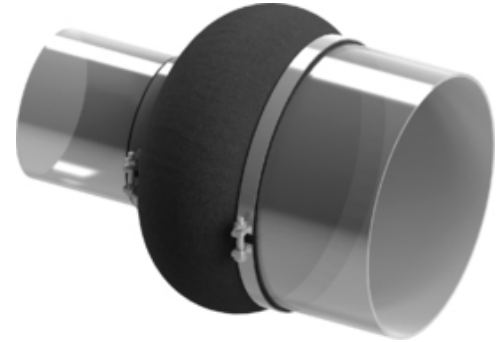


Type 16 Fabric Expansion Joint

Standard model conical fabric expansion joint composed of single- or multi-layer fabric with preformed convolution, available in cylindrical or rectangular shape for mounting with clamps directly on the pipeline.

Conical design of the convolution is used to bridge differed cross-sections and compensate large movements. Can also be used as a fire protection expansion joint.

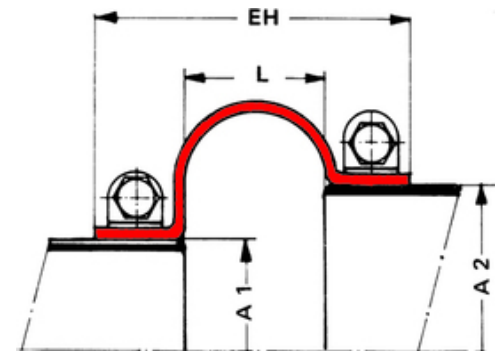
For detailed technical specifications on Type 16 fabric expansion joints please check the following table and documents or [contact us](#).



Note | Type 16 - Fabric Expansion Joint | 3D view

Features

- ✓ compensate universal movements and vibrations
- ✓ preformed convolution for extreme compensation
- ✓ easy and quick installment with clamps
- ✓ bridges various cross-sections
- ✓ fire protection expansion joint



Note | Type 16 - Fabric Expansion Joint | dimensional sketch

Technical Specifications

| | |
|------------|---------------------|
| Type | Fabric |
| Series | W 16 |
| Couplings | clamps |
| Size/Range | by request * |
| Pressure | up to 500 mbars ** |
| Axial | up to 60% of L |
| Lateral | up to 30% of L |
| Angular | acc. to designsheet |

* limited by manufacturing technology

** special constructions for higher pressure may be possible