

PTFE-Liner Stainless Steel Corrugated Hose

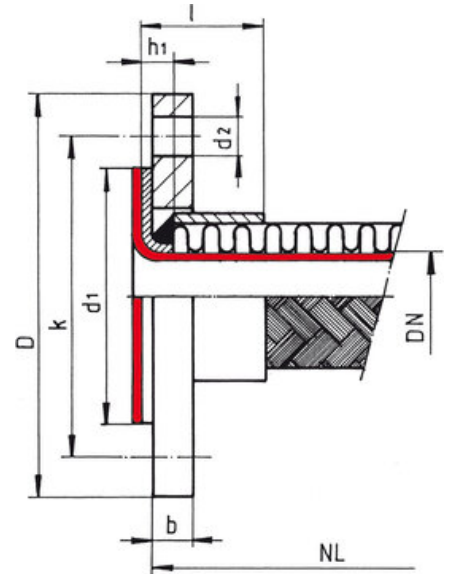
Standard model stainless steel corrugated hose single braided (1-layer) with PTFE-Linner (TEFLON) for pressured applications.

Available with various standard and non-standard couplings at any length required but no more than 5m per segment. Selected couplings are available in carbon steel and stainless steel.

For detailed technical specifications on stainless steel corrugated hoses with PTFE-Linner please check the following table and documents or [contact us](#).

▶ Features

- ✓ stainless steel flexible hose
- ✓ smooth inside (PTFE-Linner)
- ✓ flanged or threaded couplings
- ✓ lengths of max. 5m



Note | Type SE111-PTFE | sketch

▶ Technical Specifications

DN * [mm] [inch]		SE111-base			SE112-base			Max. Total Length [mm]
		PN [bar]	Dynamic Bend Radius [mm]	Approx. Weight [g/m]	PN [bar]	Dynamic Bend Radius [mm]	Approx. Weight [g/m]	
20	3/4"	40	200	540	65	220	910	5000
25	1"	40	220	800	65	245	1410	5000
32	1 1/4"	25	270	1000	50	300	1700	5000
40	1 1/2"	25	300	1250	50	330	2180	5000
50	2"	25	350	1650	40	385	2640	5000
65	2 1/2"	20	410	2380	25	450	4090	5000
80	3"	16	450	2600	25	500	4210	5000
100	4"	16	560	3450	25	620	5500	5000
125	5"	10	660	5800	20	730	9480	5000
150	6"	10	815	8200	16	900	11120	5000

* other sizes available on individual request

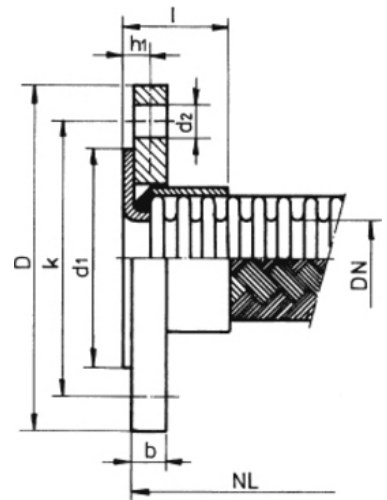
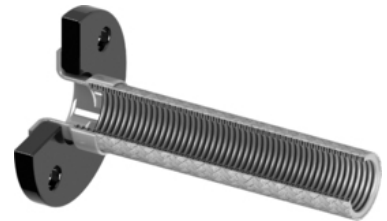
▶ Couplings Types

▶ Flanged Couplings

▶ Coupling AE201

Collar and swivel flange assembly for stainless steel corrugated hose type SE110.

Available in carbon steel and stainless steel. Flanges according to DIN , ANSI , other known standards or custom design.



DN [mm]	l [mm]	h1 [mm]
10	29	9
15	29	9
20	32	12
25	40	20
32	40	20
40	40	20
50	40	20
65	40	20
80	50	25
100	50	25
125	60	30
150	70	30

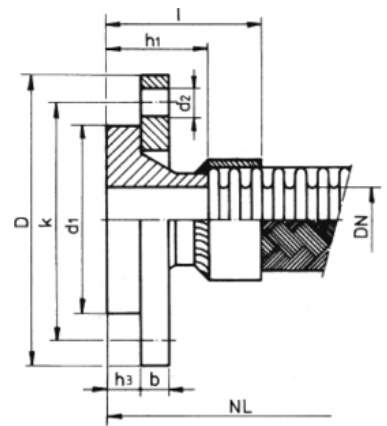
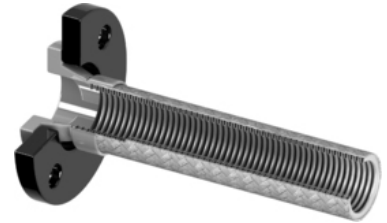
* Acc. to DIN EN 1092 type 02 + 33 in PN10

** for other DN and D, k, d1, d2, b measurements please check Standard's Page or Catalog Appendix.

► Coupling AE202

Weld-on shoulder and floating flange coupling assembly for stainless steel corrugated hose type SE110.

Available in carbon steel and stainless steel. Flanges according to DIN , ANSI , other known standards or custom design.



DN [mm]	l [mm]	h1 [mm]	h3 [mm]
10	55	35	12
15	55	38	12
20	60	40	14
25	60	40	14
32	60	42	14
40	60	45	14
50	65	45	16
65	65	45	16
80	75	50	16
100	75	52	18
125	80	55	18
150	90	55	20

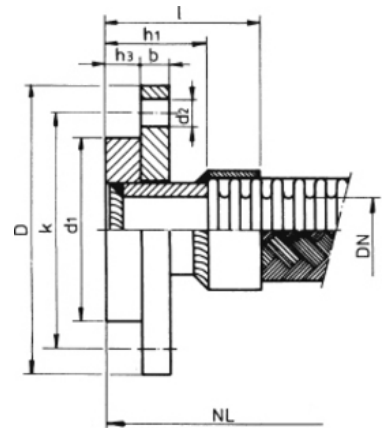
* Acc. to DIN EN 1092 type 04 + 34 in PN10-PN16

** for other DN and D, k, d1, d2, b measurements please check Standard's Page or Catalog Appendix.

► Coupling AE203

Collar sockets and swivel flange assembly for stainless steel corrugated hose type SE110.

Available in carbon steel and stainless steel. Flanges according to DIN , ANSI , other known standards or custom design.



DN [mm]	l [mm]	h1 [mm]	h3 [mm]
10	75	55	12
15	75	55	12
20	80	60	14
25	85	65	14
32	90	70	14
40	95	75	14
50	95	75	16
65	100	80	16
80	110	85	16
100	115	90	16
125	120	90	18
150	135	95	20

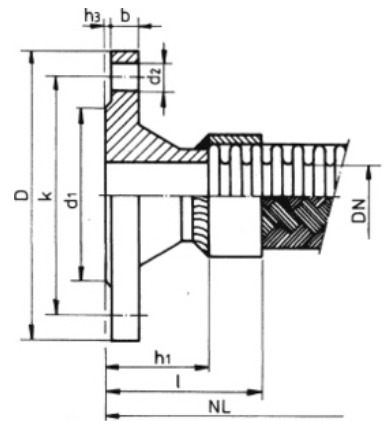
* Acc. to DIN EN 1092 type 02 + 32 in PN10-PN16

** for other DN and D, k, d1, d2, b measurements please check Standard's Page or Catalog Appendix.

► Coupling AE204

Weld-on (fixed) flange coupling assembly for stainless steel corrugated hose type SE110.

Available in carbon steel and stainless steel. Flanges according to DIN , ANSI , other known standards or custom design.



DN [mm]	l [mm]	h1 [mm]
10	55	35
15	55	38
20	58	40
25	58	40
32	60	42
40	62	45
50	65	45
65	65	45
80	75	50
100	77	52
125	85	55
150	95	55

* Acc. to DIN EN 1092 type 11 in PN10-PN16

** for other DN and D, k, d1, d2, b measurements please check Standard's Page or Catalog Appendix.

▶ Threaded Couplings

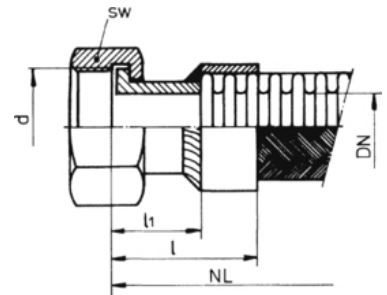
▶ Coupling AE508

Swivel nut with internal thread and flat seal assembly for stainless steel corrugated hose type SE110.

Available in carbon steel and stainless steel. Sizes acc. to standards or mechanized to custom specifications.



DN [mm]	DIN2999		ISO228		l [mm]	l1 [mm]
	d	SW	d	SW		
6	1/4"	17	14x1.5	17	44	24
8	3/8"	20	16x1.5	19	44	24
10	1/2"	24	18x1.5	22	45	25
12	5/8"	27	22x1.5	27	48	28
15	3/4"	32	26x1.5	32	49	29
20	1"	41	30x2	36	50	30
25	1 1/4"	50	36x2	41	55	35
32	1 1/2"	55	45x2	50	55	35
40	2"	65	52x2	60	55	35
50	2 1/2"	75	-	-	65	45



* other thread connection, i.e. metric, NPT, cylindrical available on request

** for complete thread specifications please check our Standard's Page of Catalog Appendix