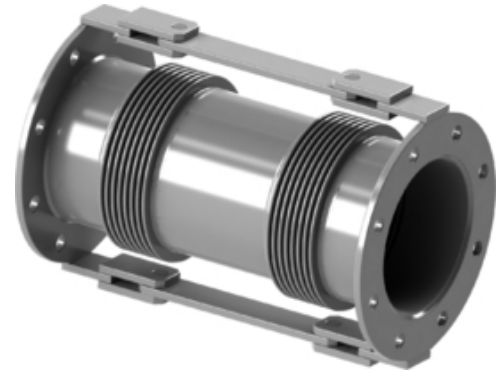


MFY Double Hinged Expansion Joint

Custom model stainless steel angular expansion joint composed of double single- or multi-ply bellows with hinged system, for mounting with flanges up the pipeline.

Construction with double hinged system for better compensation. Available with optional inner sleeve for bellow's protection and improved stability. Couplings can be made out of various carbon-steel or stainless steel grades.

For detailed technical specifications on MFY expansion joints please check the following table and documents or [contact us](#).



Note | Type MWY - Angular Expansion Joint | 3D view

▶ Features

- ✔ stainless steel bellow
- ✔ angular movement compensation
- ✔ double-hinged system
- ✔ fixed (weld-on) flanges
- ✔ fully customizable item

▶ Technical Specifications

Type	Angular Stainless Steel
Series	MFY
Size/Range	DN15-DN2000
Pressure	up to PN64
Axial	no *
Lateral	yes **
Angular	yes

* limited axial movements are possible with sliding hinged bars / acc. to individual quotation

** lateral movement is limited to a single plane